

# StormBasin Downspout



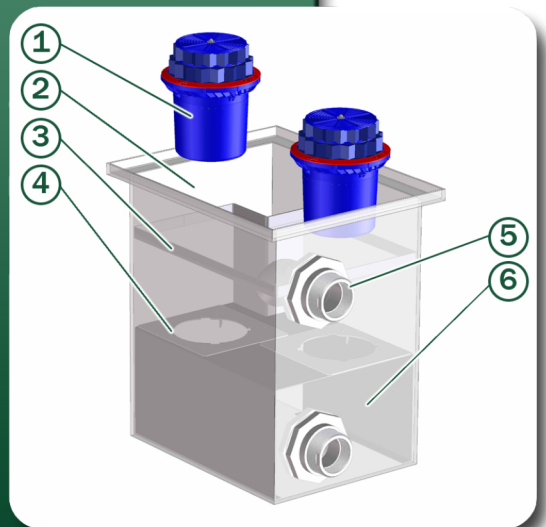
The Fabco StormBasin DownSpout filter is designed to treat particulate and soluble pollutants contained in stormwater runoff from rooftops.

Water can react with metal roofs, metal components or metallic roof-mounted equipment which can release soluble metals, such as zinc, copper, lead and aluminum into the water supply. Animal waste and particulate from industrial activities can also collect on roofs and contribute to polluted runoff as well.

Like our other products in the StormBasin line, the DownSpout filter utilizes Fabco's proprietary filter cartridge technology which enables targeting of specific pollutant types. Additionally, the DownSpout system is versatile and can be expanded beyond the standard two filter cartridge design for more treatment capacity or higher flow rates.

## Features/Benefits

1. Easily replaceable lightweight filter cartridges customized for targeted pollutants
2. Large freestanding filter enclosure offers multiple installation & mounting options
3. Constructed from high strength, exterior grade Polyethylene material (nominal ¼" wall thickness) with an aluminum internal support frame
4. Aluminum cartridge mounting plates provide "Twist-Lock" retention and a tight seal
5. Built in high flow bypass is capable of passing large storm events
6. Internal water/debris collection tub is lined with a seamless, flexible rubber membrane to prevent long-term leakage issues due to material degradation or thermal expansion due to temperature changes



Application	Regulatory Issue	Target Pollutants
Municipal : Maintenance/Storage bldgs, yards, office building	MS4 Permit	Heavy metals (Zn, Cu, Al), PAHs, pesticides, particulate from Vehicle exhaust, chemicals used in waterproofing and weathering treatments
Commercial/retail buildings, metal roofs	MS4 Permit	
Roof tops at Scrap Metal, Solid Waste, Power Plants	Industrial Multi-Sector General Permit	
Home owners	MS4 Permit	