

Angle Iron

2"x2"x1/4" Bars
 12ea.-10' Bars
 4ea.-4' Bars
 136 Lineal Ft.-Bars
 3.19# Lineal/Foot
 433.84# Each Plate

Wire

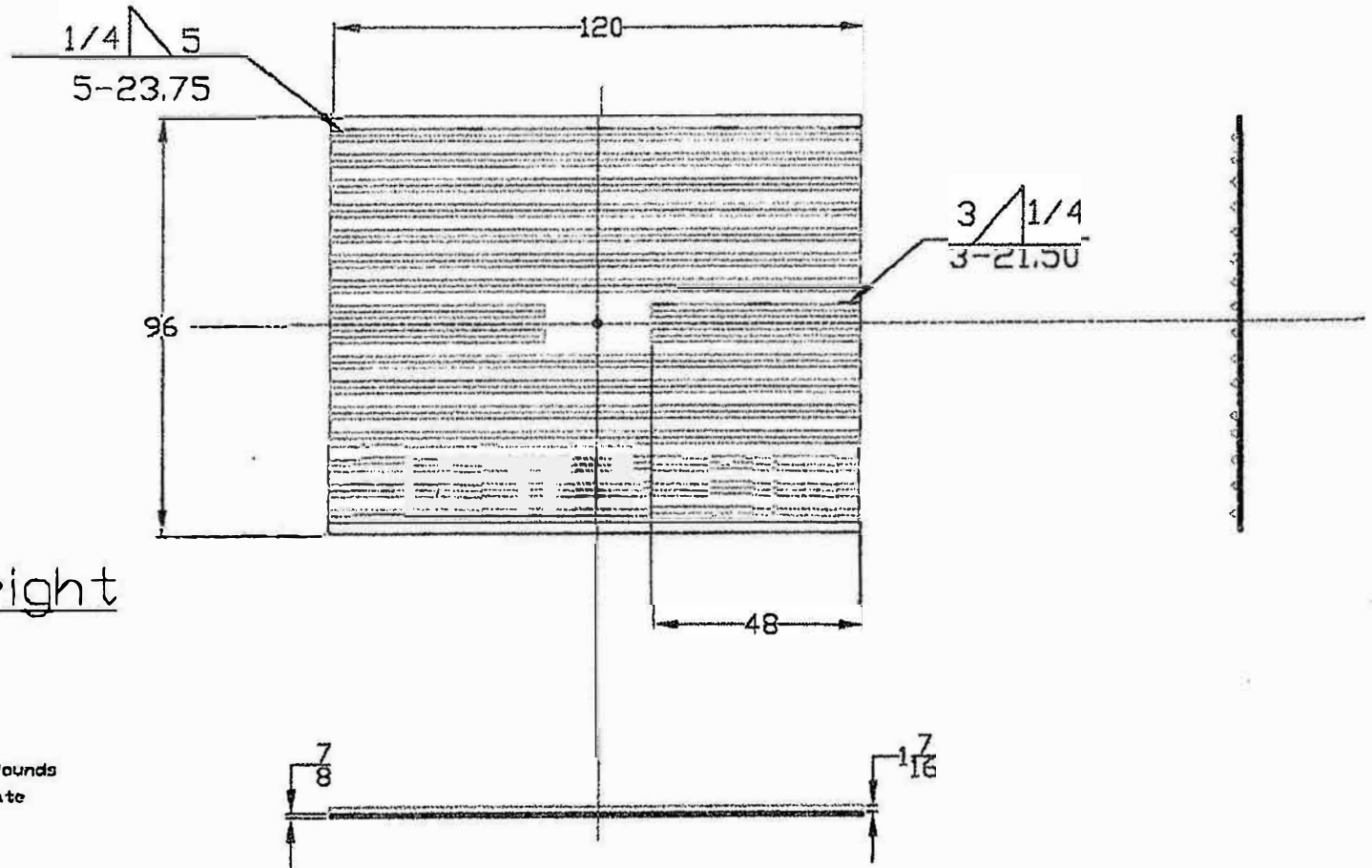
5/8" Innershield NR-311
 8#-Each Plate

Nut Total Weight

1ea.-Plate Center Plate= 2858.8
 1# Each Plate Angle Iron= 433.84
 Wire= 8.0
 Nut= 1
 3301.64 Total Pounds
 Per Plate

Plate

8'x10'x3/8"
 80Sq.Ft.
 35.73#Sq.Ft.
 2858.8# each plate



CONTRACTORS SERVICES, LLC LAKEWOOD, CA (562) 310-3017	C-S RUMBLE TRACK	DRAWING 78 9-12-06
-------------------------------------------------------------	---------------------	--------------------------

Distributed by:



www.quicksupplydm.com
 (515)289-1271