

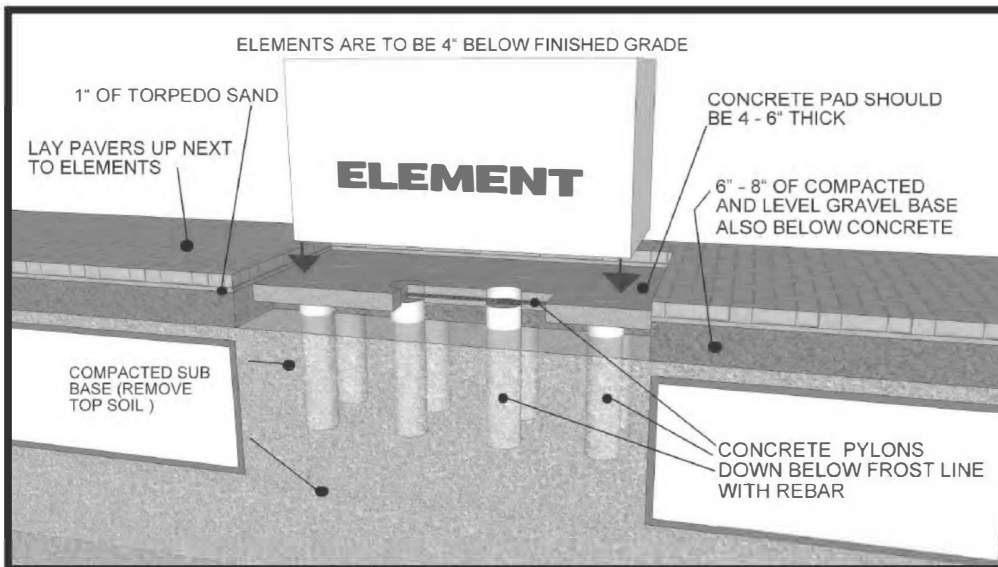
INSTALLATION INSTRUCTIONS

ELEMENTS™

ELEMENTS™ INSTALLATION INSTRUCTIONS

Elements are very easy to install. Here are a couple cross section details to consider. Keep in mind, these are not engineered plans. Make sure you check with your local municipality for their requirements when installing Elements. Here are a few other key points to remember:

- Always place a piece of material (plywood or carpet work well) between your forks and the Elements to prevent chipping.
- Always transport the Element on the pallet it comes with until you are ready to place on the permanent location.
- Make sure to use a ratchet strap to secure the Element to the loader when transporting and placing.
- Handle Elements with care - they are concrete, but not indestructible.
- Make sure to size the machine to the Elements weight.
- All Elements are designed to be buried 4" below finish grade.



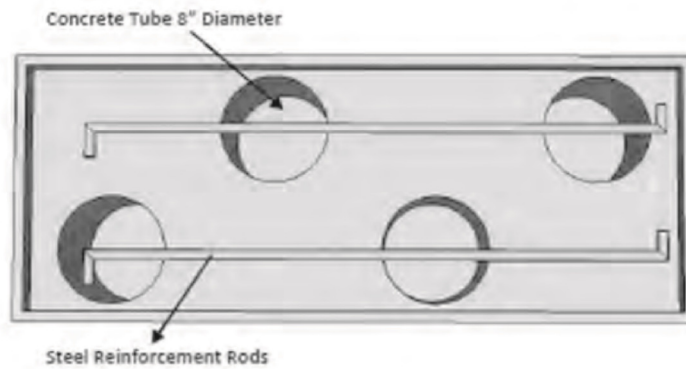
CONCRETE PAD INSTALLATION

For areas not affected by freeze-thaw conditions please contact your local Belgard sales representative for further installation information.

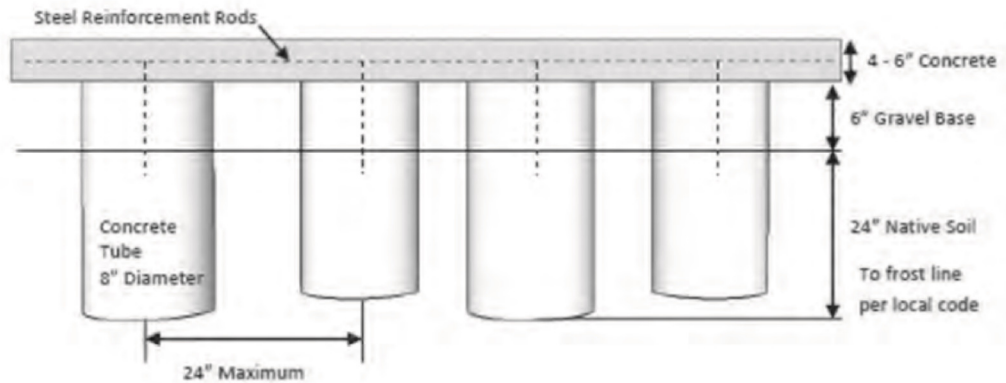
Typical Cross Section for Concrete Pad Installation

***The following measurements are a suggestion. Always check your local building codes first.*

Top View



Side View



3D View

